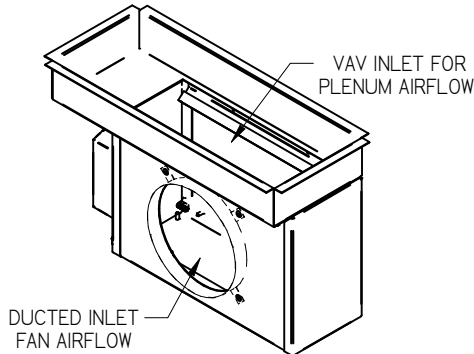
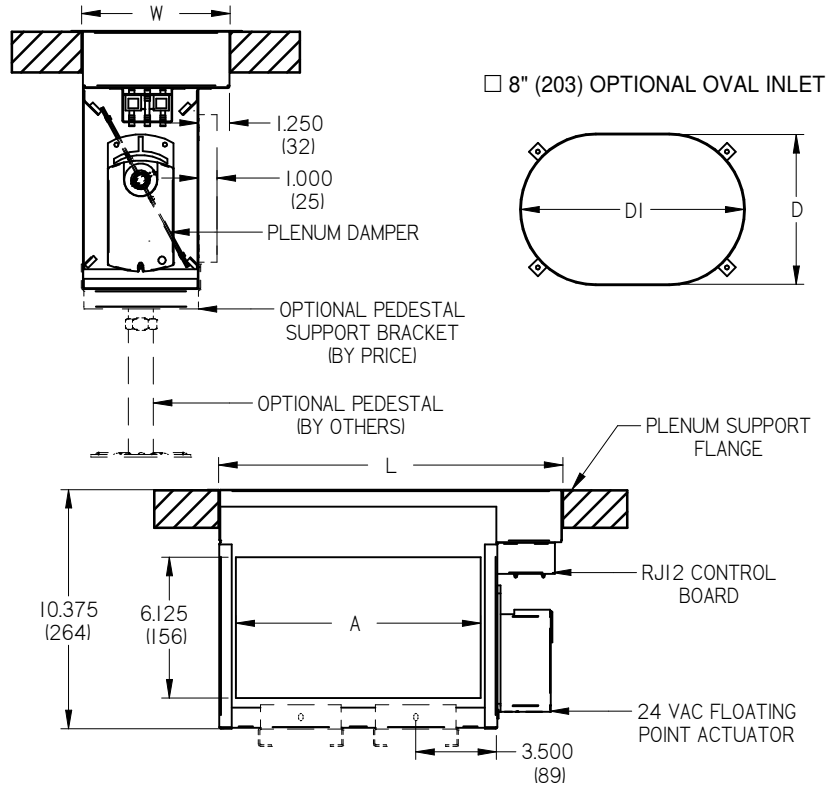
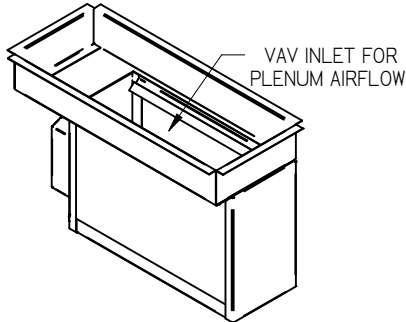


**LPT - LINEAR PLENUM TERMINAL  
FLOOR TILE SUPPORTED**

**HC - HEATING & VAV COOLING**



**VC - VAV COOLING**



**NOTE:**

- NOMINAL SIZE (L X W) = ROUGH OPENING
- DAISY CHAIN CONTROL BOARD W/ RJ 12 CONNECTIONS
- LFG GRILLE ORDERED SEPARATELY WITH 1000 STYLE BORDER
- NOMINAL GRILLE SIZE = L - 0.125" (3) X W - 0.125" (3)
- LPT WITH LFG INSTALLED IS DESIGNED TO WITHSTAND LIGHT FOOT TRAFFIC

**PLENUM:**

- PLENUM LENGTH = L - 0.125" (3)
- PLENUM WIDTH = W - 0.125" (3)
- 20 GAUGE STEEL CONSTRUCTION
- BLACK FINISH
- DROP-IN INSTALLATION FROM ABOVE FLOOR
- COMES WITH REMOVABLE ENDCAPS FOR CONTINUOUS & DISCRETE GRILLE INSTALLATIONS

**PLENUM DAMPER:**

- COMES WITH 24 VAC ACTUATOR AND PLENUM RATED CABLE

ROUGH OPENING (L X W)	PLENUM LENGTH	PLENUM WIDTH	A
15 X 6 (381 X 152)	14.875 (378)	5.875 (149)	10.625 (270)
16 X 8 (406 X 203)	15.875 (403)	7.875 (200)	11.625 (295)

INLET		
SIZE	D	D1
6" ROUND	5.875 (149)	N/A
8" OVAL	6 (152)	8.937 (227)

**PLENUM STYLE:**

- HC - DUCTED HEAT & VAV PLENUM COOLING
- VC - VAV PLENUM COOLING

**INLET FOR HC STYLE:**

- 6" (152) ROUND
- 8" (203) OVAL

**PEDESTAL BRACKETS OPTION:**

- PEDESTAL BRACKETS

**CONTROL CABLE:**

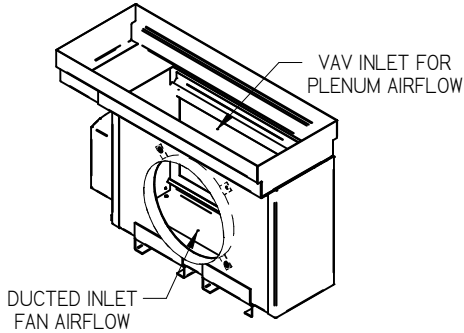
- 15G - 15 FT CFLEX GREEN CONTROL CABLE
- 25G - 25 FT CFLEX GREEN CONTROL CABLE
- 35G - 35 FT CFLEX GREEN CONTROL CABLE

ALL METRIC DIMENSIONS ( ) ARE SOFT CONVERTED. IMPERIAL DIMENSIONS ARE CONVERTED TO METRIC AND ROUNDED TO THE NEAREST MILLIMETER.

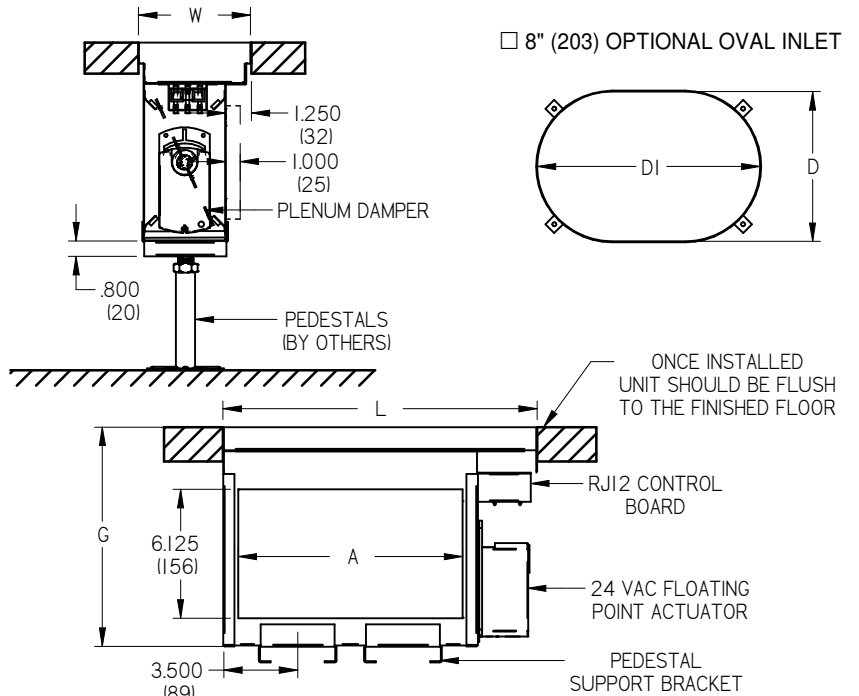
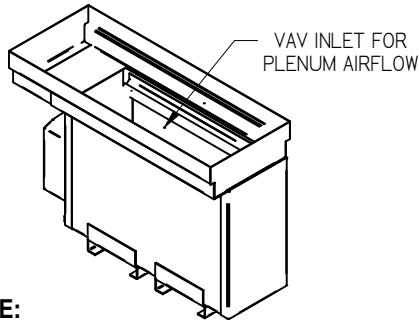
<b>PROJECT:</b>		<b>PRICE</b>
<b>ENGINEER:</b>		
<b>CUSTOMER:</b>		NS
<b>SUBMITTAL DATE:</b>		269675
<b>SPEC. SYMBOL:</b>		<b>LPT</b> LINEAR PLENUM TERMINAL FLOOR TILE SUPPORTED 1000 STYLE
<b>SUBMITTAL DATE:</b>	<b>SPEC. SYMBOL:</b>	2021-11-09

**LPT - LINEAR PLENUM TERMINAL  
PEDESTAL SUPPORTED**

**HC - HEATING & VAV COOLING**



**VC - VAV COOLING**



**NOTE:**

- NOMINAL SIZE (L X W) = ROUGH OPENING
- DAISY CHAIN CONTROL BOARD W/ RJ 12 CONNECTIONS
- LFG GRILLE ORDERED SEPARATELY WITH 125/187 STYLE BORDER
- NOMINAL GRILLE SIZE = L - 0.125" (3) X W - 0.125" (3)
- LPT WITH LFG INSTALLED IS DESIGNED TO WITHSTAND LIGHT FOOT TRAFFIC

**PLENUM:**

- PLENUM LENGTH = L - 0.125" (3)
- PLENUM WIDTH = W - 0.125" (3)
- 20 GAUGE STEEL CONSTRUCTION
- BLACK FINISH
- DROP-IN INSTALLATION FROM ABOVE FLOOR
- COMES WITH REMOVABLE ENDCAPS FOR CONTINUOUS & DISCRETE GRILLE INSTALLATIONS

**CONTROL DAMPER:**

- COMES WITH 24 VAC ACTUATOR AND PLENUM RATED CABLE

**PEDESTAL SUPPORT BRACKETS:**

- 2 PEDESTAL SUPPORT BRACKETS SUPPLIED & MOUNTED BY PRICE
- PEDESTAL & PEDESTAL HEAD SUPPLIED BY OTHERS

ALL METRIC DIMENSIONS ( ) ARE SOFT CONVERTED. IMPERIAL DIMENSIONS ARE CONVERTED TO METRIC AND ROUNDED TO THE NEAREST MILLIMETER.

ROUGH OPENING (L X W)	PLENUM LENGTH	PLENUM WIDTH	A
15 X 6 (381 X 152)	14.875 (378)	5.875 (149)	10.625 (270)
16 X 8 (406 X 203)	15.875 (403)	7.875 (200)	11.625 (295)

INLET			ASSEMBLY HEIGHT WITH LFG INSTALLED	
SIZE	D	D1	CORE STYLE	G
6" ROUND	5.875 (149)	N/A	PRESSED CORE	10.550 (268)
8" OVAL	6 (152)	8.937 (227)	MANDREL CORE	10.375 (264)

**PLENUM STYLE:**

- HC - DUCTED HEAT & VAV PLENUM COOLING
- VC - VAV PLENUM COOLING

**INLET FOR HC STYLE:**

- 6" (152) ROUND
- 8" (203) OVAL

**CONTROL CABLE:**

- 15G - 15 FT CFLEX GREEN CONTROL CABLE
- 25G - 25 FT CFLEX GREEN CONTROL CABLE
- 35G - 35 FT CFLEX GREEN CONTROL CABLE

**PROJECT:**

**ENGINEER:**

**CUSTOMER:**

**SUBMITTAL DATE:**

**SPEC. SYMBOL:**

<b>PRICE</b>		<b>LPT</b>
		<b>LINEAR PLENUM TERMINAL PEDESTAL SUPPORTED 125/187 STYLE</b>
NS		269676
2021-11-09		2021-11-09